

## LBV200-4 MiniROV Systems

The SeaBotix LBV200-4 series sets the standard for small ROV capability.

- 200 meter (660ft) depth rating and tether lengths to 350 meters (1,150ft)
- Powerful brushless DC thrusters with individual oil-compensators
- 4-axis maneuverability with intuitive hand controller
- Ultra small diameter high strength, durable, low drag tether
- Crystal clear video transmission and high resolution low light color camera
- 270° range of view with high intensity LED array tracking camera
- Extensive range of options including sonar, tracking, laser scaling, grabber, zoom and more

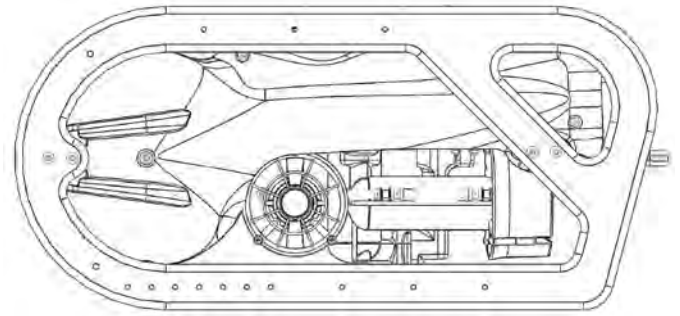


With powerful brushless thrusters, small diameter low drag tether, and a very stable and maneuverable platform, the SeaBotix LBV200-4 Series is the most capable and featured system in its class. The LBV200-4 is an extremely portable system with a host of options offering a turnkey solution for a demanding range of applications.



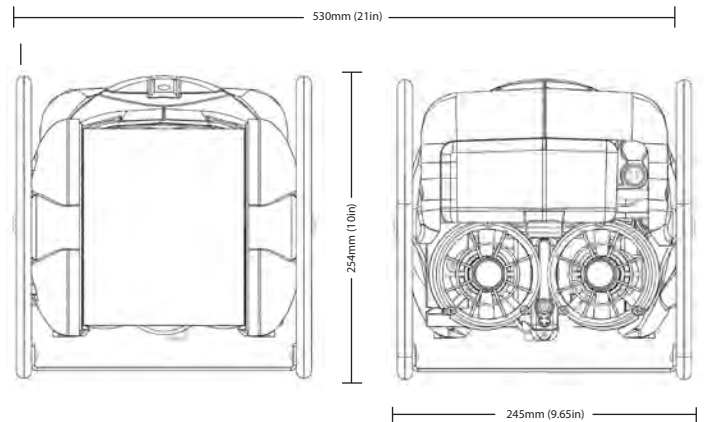
## General

Depth Rating:	200m (660ft)
Length:	530mm (21in)
Width:	245mm (9.65in)
Height:	254mm (10in)
Diagonal:	353mm (13.9in)
Weight in air:	11kg (24.25lbs)



## Thrusters/Performance

Configuration:	2 forward, 1 vertical, 1 lateral
Motor Type:	Brushless DC direct drive
Bollard Thrust:	4.9kgf (10lbf) each
Speed at Surface:	3 knots (1.54m/sec)
Max Operating Current:	2 knots (1.03m/sec)



## Cameras/Lighting

Camera:	680 line High resolution color
Range of View:	270 Degrees
Focus:	Manual (90mm to infinity)
Format:	NTSC or PAL
Lighting:	Internal 700 Lumen LED array Tracks color camera

## Control System

Configuration:	Rugged case with weatherproof monitor and removable operator control unit
Monitor:	38cm (15") LCD
Power Requirement:	1,000 watts, 100-130/200-240 VAC
Safety:	Isolated input, circuit breaker, LIM, leak monitor Meets & exceeds AODC 035 "Code of Practice for the Safe use of Electricity in Water"
Auto Functions:	Depth, heading, trim
Video Overlay:	Depth, heading, lights, thruster gain, turns counter, camera angle, time, date and user programmable characters

## Tether/Reel

Diameter:	9mm (0.35in) nominal
Length:	250m (820ft) standard
Working Load:	100kgf (220lbf)
Breaking Strength:	700kgf (1,543lbf)
Buoyancy:	Neutral in fresh, slightly positive in seawater
Reel:	Heavy duty with slip ring

## Options

Tether Lengths:	200-350m (656-1,082ft)
Grabber:	Three jaw, interlocking small, interlocking large, parallel and cutter
Sonars:	Multi-beam, scanning and profiler
Tracking:	USBL positioning system
Lights:	Multiple head ultra bright LED
Console:	Integrated navigation and control console
Other:	HD, thickness, radiation, CP, water quality, laser scaling, zoom camera and more

